



Electrolux
PROFESSIONAL

Modular Cooking Range Line
thermaline 90 - 800 mm Open base,
GN conform, 1 Side (H2) - H=550

ITEM # _____

MODEL # _____

NAME # _____

SIS # _____

AIA # _____



589317 (MCIBDAHOOO)

Open base, one-side
operated, GN - H2

Short Form Specification

Item No. _____

800 mm wide open base compartment to store pots, pans, sheet pans, etc. with hygienic design and round edges. Unit constructed according to DIN 18860_2 with 70 mm recessed plinth. Internal frame for heavy duty sturdiness in 2 mm and 3 mm in 1.4301 (AISI 3

Main Features

- All major components may be easily accessed from the front.
- Unit to be placed below modular top appliances to store pots, pans, sheet pans, etc.

Construction

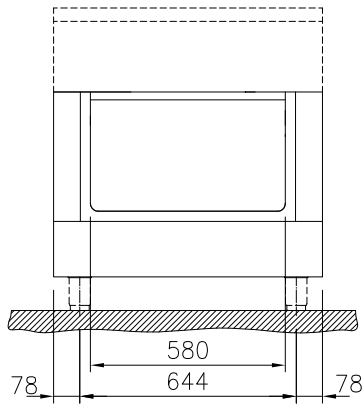
- IPX5 water resistance certification.
- Hygienic design of the open base compartment with large round edges.
- 2 mm top in 1.4301 (AISI 304).
- Flat surface construction with minimal hidden areas to easily clean all surfaces
- Storage space in the base of the appliance that can accept GN1/1 containers.
- Internal frame for heavy duty sturdiness in stainless steel.

APPROVAL: _____

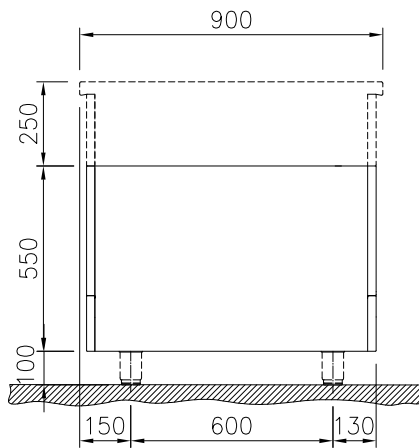


Experience the Excellence
www.electroluxprofessional.com

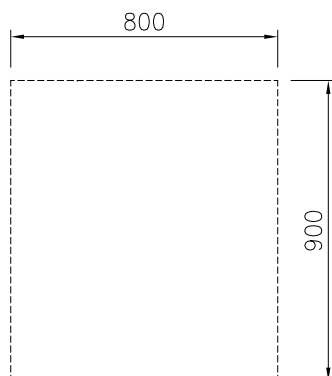
Front



Side



Top


Key Information:

External dimensions, Width:	
589317 (MC1BDAH000)	800 mm
External dimensions, Depth:	900 mm
External dimensions, Height:	550 mm
Cupboard Cavity Dimensions (width):	580 mm
Cupboard Cavity Dimensions (height):	330 mm
Cupboard Cavity Dimensions (depth):	740 mm
Net weight:	24 kg

Optional Accessories

- Stainless steel side panel (12mm), 900x800mm, freestanding PNC 912511
- Stainless steel front kicking strip, 800mm width PNC 912598
- Stainless steel side kicking strips left and right, freestanding, 900mm width PNC 912621
- Stainless steel side kicking strips left and right, wall mounted, 900mm width PNC 912624
- Stainless steel side kicking strips left and right, back-to-back, 1800mm width PNC 912627
- Stainless steel plinth, against wall, 800mm width PNC 912901
- Stainless steel plinth, freestanding, 800mm width PNC 912920
- Stainless steel panel (12mm) 900x800mm, against wall, left side PNC 913102
- Stainless steel panel (12mm) 900x800mm, against wall, right side PNC 913106
- Back panel, 800x550mm, for bases and units, one-side operated PNC 913182
- Stainless steel side panel, left, H=800, flush PNC 913224
- Stainless steel side panel, left, H=800, flush PNC 913225
- - NOT TRANSLATED - PNC 913234
- - NOT TRANSLATED - PNC 913259
- - NOT TRANSLATED - PNC 913268
- - NOT TRANSLATED - PNC 913270
- - NOT TRANSLATED - PNC 913277
- - NOT TRANSLATED - PNC 913278
- - NOT TRANSLATED - PNC 913281
- STAINLESS STEEL DIVIDING PANEL 900X800MM LEFT/RIGHT PNC 913673
- STAINLESS STEEL SIDE COVER PANEL, FLUSH 900X800MM LEFT/RIGHT PNC 913689